

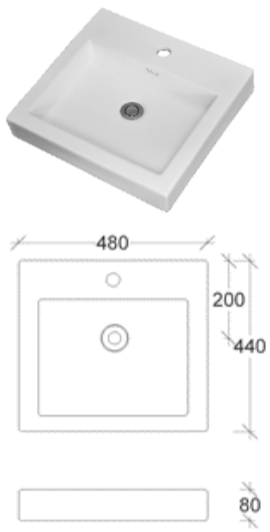
BASIN SPECS

RIFCO

EST. 1975

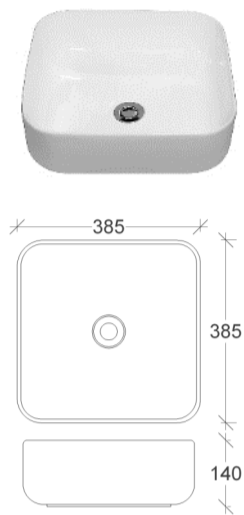
MODE

Ceramic
Above counter
Code: B1



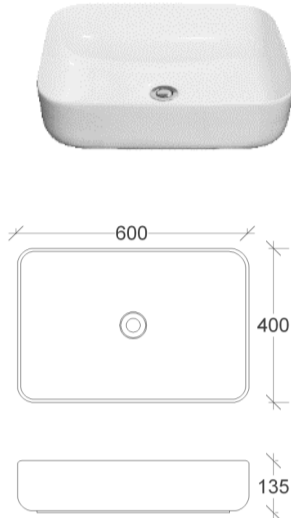
CUBA

Ceramic
Above counter
Code: B11



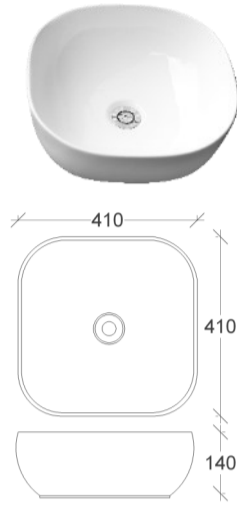
ALPINE

Ceramic
Above counter
Code: B7



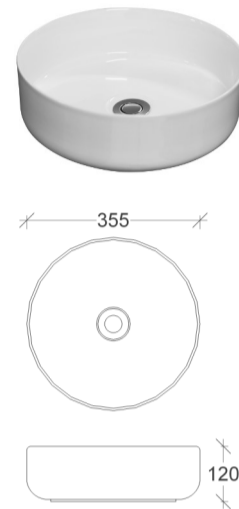
URBAN

Ceramic
Above counter
Code: B6



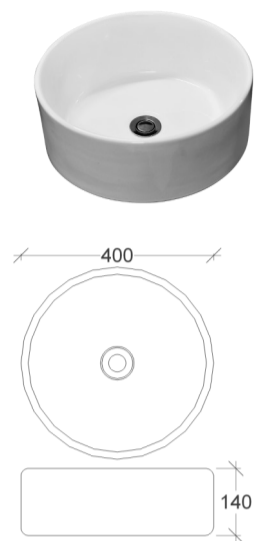
GALAXY

Ceramic
Above counter
Code: B13



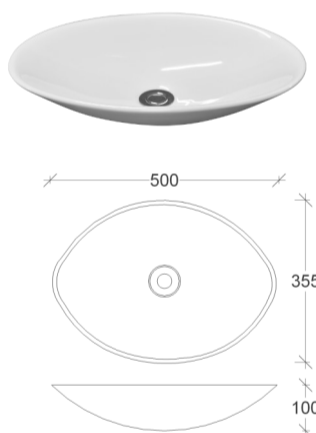
SPHERON

Ceramic
Above counter
Code: B8



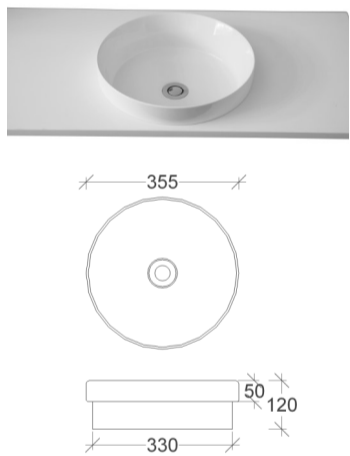
HAVEN

Ceramic
Above Counter
Code: B10



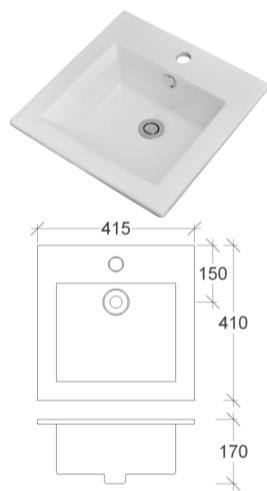
HALO

Ceramic
Semi-inset
Code: B12



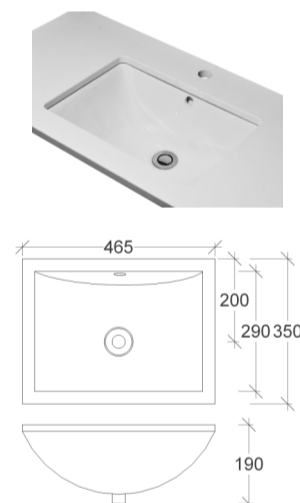
VIVA

Ceramic
Inset
Code: B3



OMEGA

Ceramic
Undercounter
Code: B5



ORBIT

Ceramic
Undercounter
Code: B9



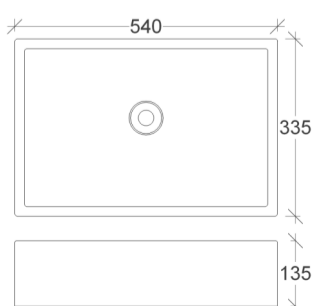
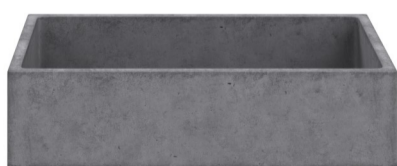
AURA

Ceramic
In matt finish
(black or white)
Code: B14/B14B



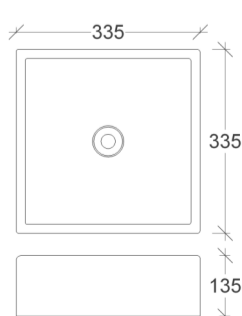
HORIZON

LUXECRETE™
Concrete
Above counter
Code: CB1



SAPPHIRE

LUXECRETE™
Concrete
Above counter
Code: CB2



LUNA

LUXECRETE™
Concrete
Above counter
Code: CB3

